



HEARTH PRODUCTS

HEARTH PRODUCTS
KITS AND ACCESSORIES

P/N 750,246M
REV. B 04/2008

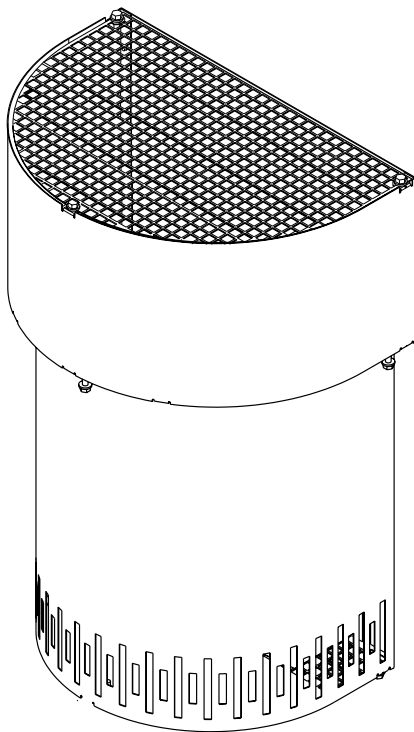
**HORIZONTAL TERMINATION
SHROUD KIT**

**INSTALLATION INSTRUCTIONS FOR THE HORIZONTAL TERMINATION SHROUD KIT
(MODEL NUMBER 4.5HTSK) (CATALOG NUMBER H5820) FOR USE WITH SQUARE TERMINATIONS
WHICH MAY BE USED WITH DIRECT VENT GAS FIREPLACES**

GENERAL INFORMATION

The horizontal Termination Shroud Kit may be used as a decorative cover for the square termination and to minimize exposure to the hot surface of the termination.

This kit contains one termination shroud kit and these instructions.



WARNING: THIS KIT MUST BE INSTALLED BY A QUALIFIED SERVICE TECHNICIAN OR OTHER QUALIFIED AGENCY ACCORDING TO THE MANUFACTURER'S INSTRUCTIONS, ALL CODES AND REQUIREMENTS OF THE AUTHORITY HAVING JURISDICTION IN THE USA OR CANADA. THE QUALIFIED AGENCY PERFORMING THIS WORK ASSUMES RESPONSIBILITY FOR THIS INSTALLATION.

WARNING: THE SHROUD KIT PROVIDES PROTECTION FROM THE HIGH TEMPERATURES OF THE TERMINATION EXCEPT AT THE TOP PORTION OF THE SHROUD KIT. THIS AREA IS EXTREMELY HOT DUE TO THE DISCHARGING FLUE GASES.

INSTALLATION INSTRUCTIONS

Note - Shroud kit installation does not require the removal of the square termination.

Step 1. Turn off the fireplace and allow the termination to cool before proceeding.

Step 2. Loosen the four (4) screws on the existing square termination (refer to **Figure 1**).

Step 3. Slide the body of the shroud over the termination screws that have been loosened, setting it in place (refer to **Figure 1**).



NOTE: DIAGRAMS & ILLUSTRATIONS NOT TO SCALE.

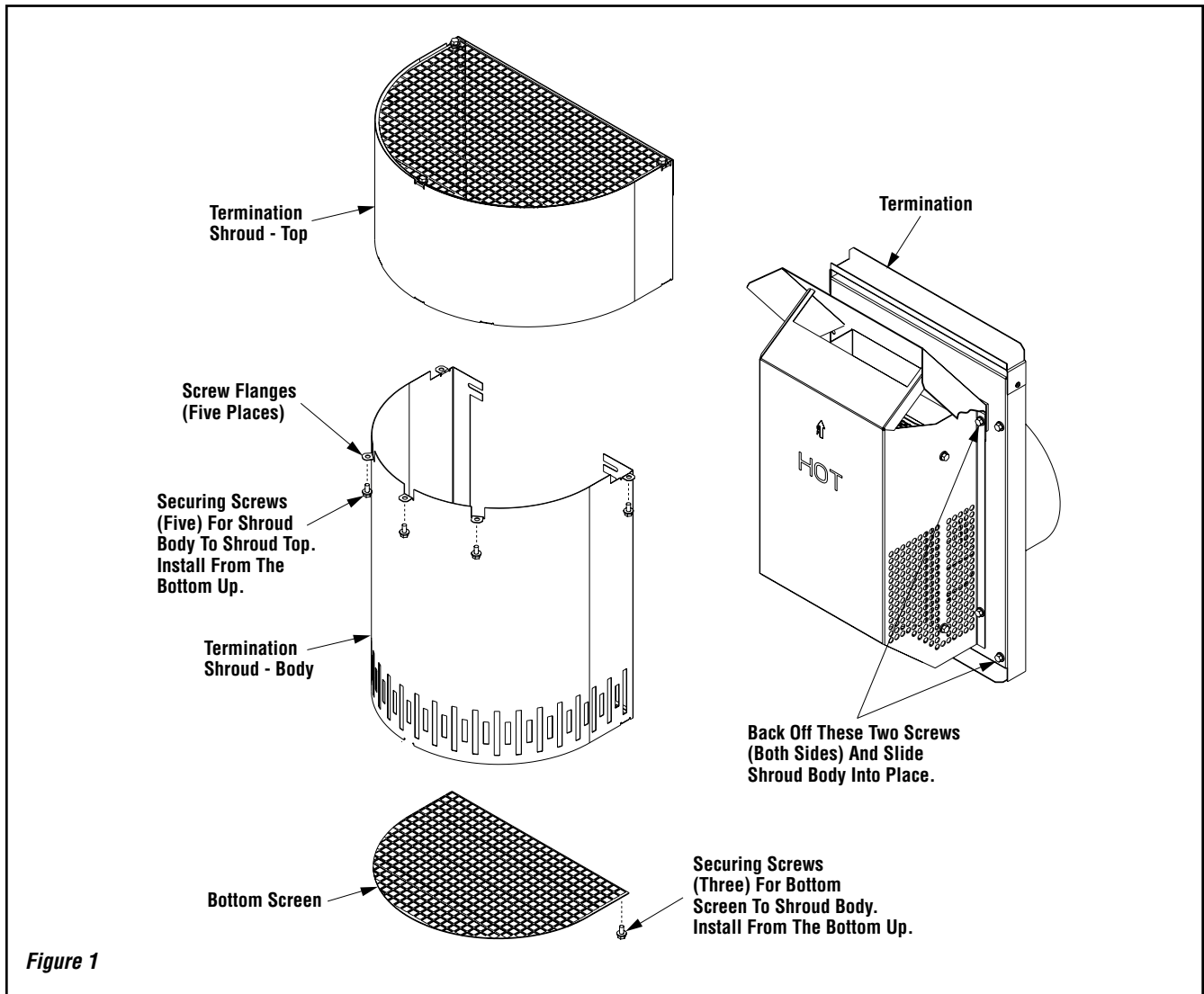
Step 4. Re-tighten the four (4) screws into place, securing the shroud body over the termination.

Step 5. Position the shroud top over the shroud body and screw it into the flanges located on both the shroud top and shroud body, using five (5) screws (as shown **Figure 1**).

Note: The five (5) screws are to be attached from the bottom.

Step 6. Attach the bottom screen onto the body of the shroud, using the three (3) screws into each of the three flanges on the shroud body (see **Figure 1**).

Step 7. If desired, paint shroud to any color.



NOTE: DIAGRAMS & ILLUSTRATIONS NOT TO SCALE.

The manufacturer reserves the right to make changes at any time, without notice, in design, materials, specifications, prices and also to discontinue colors, styles and products. Consult your local distributor for fireplace code information.